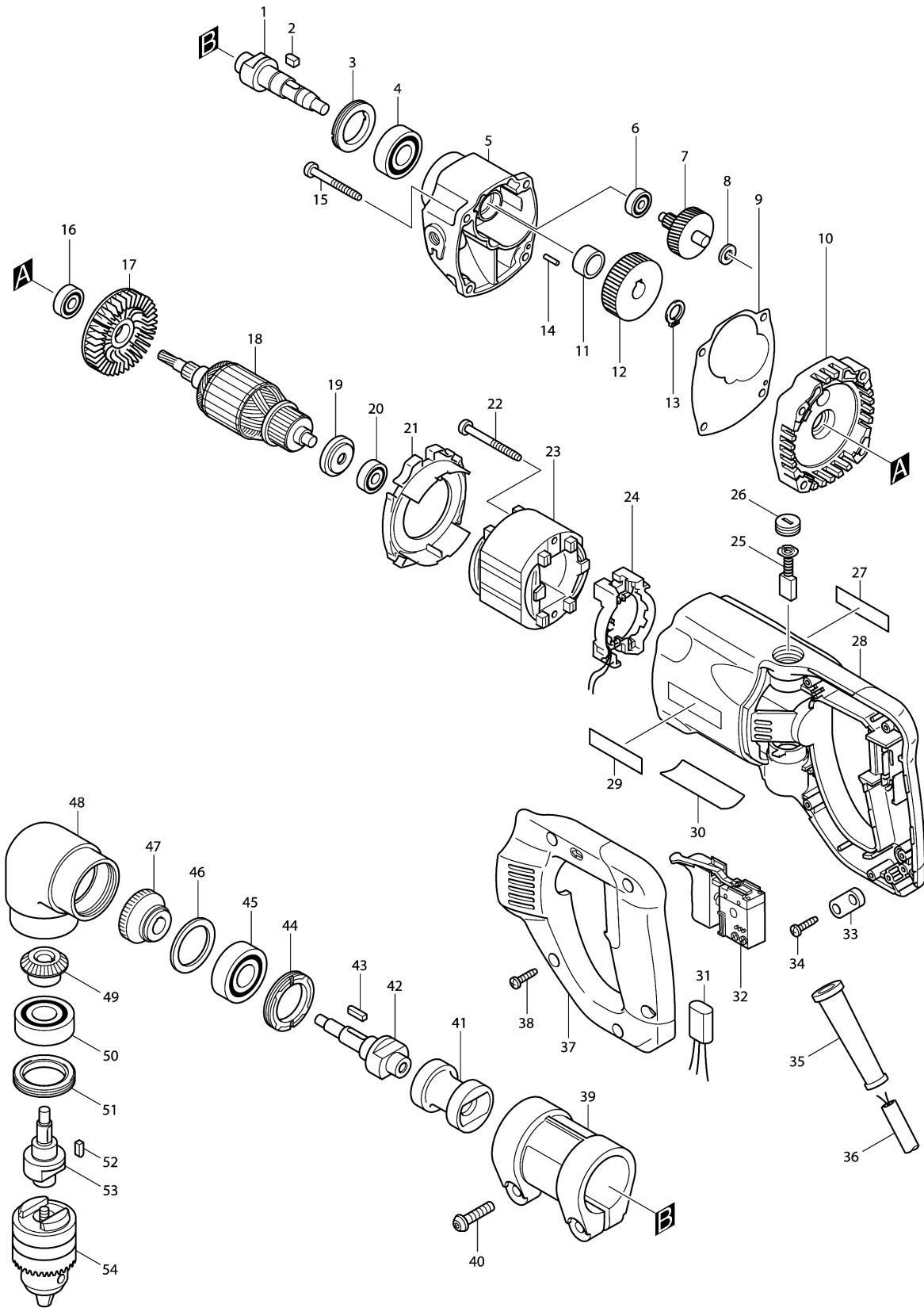


### Model No.DA4000LR ANGLE DRILL 13MM





## Model No.DA4000LR ANGLE DRILL 13MM

รายการ	รหัสอะไหล่	รายละเอียด	การ แลกเปลี่ยน	จำนวน	New/Old	ขาย	ซื้อ	ข้อความ
001	324171-2	SPINDLE		1				
002	254211-1	KEY 5		1				
003	285808-5	BEARING RETAINER 25-36		1				
004	211206-7	BALL BEARING 6202LLB		1				
005	317482-2	GEAR HOUSING		1				
006	211016-2	BALL BEARING 626LLB		1				
007	226144-0	GEAR COMPLETE 7-41		1				
008	253133-2	FLAT WASHER 7		1				
009	417650-8	GASKET		1				
010	152889-3	GEAR HOUSING COVER COMPLETE		1				
C10	212004-2	NEEDLE BEARING 810		1				
C20	212041-6	NEEDLE BEARING 709		1				
011	313105-0	SLEEVE 15		1				
012	226544-4	HELICAL GEAR 41		1				
013	961055-9	RETAINING RING S-15		1				
014	256157-7	PIN 3		1				
015	266056-5	TAPPING SCREW 5X45		4				
016	211031-6	BALL BEARING 608LLB		1				
017	241850-6	FAN 60		1				
018	516483-9	ARMATURE ASS'Y 220-240V		1				
D10		INC. 16,17,19,20						
019	681651-4	INSULATION WASHER		1				
020	211031-6	BALL BEARING 608LLB		1				
021	417649-3	BAFFLE PLATE		1				
022	266046-8	TAPPING SCREW 5X50		2				
023	634443-0	FIELD 220-240V		1				
024	638081-0	SUPPORT COMPLETE		1				
025	A-81664	CARBON BRUSH CB-303A		1	*			
025-1	B-80151	CARBON BRUSH SET CB- 303A	O	1	*			
025-2	B-80379	CARBON BRUSH SET CB- 303A	<	1				
026	643750-0	BRUSH HOLDER CAP 7-11		2	*			
026-1	643515-0	HOLDER CAP 7-11	O	2				
027	819063-3	MAKITA LABEL		1				
028	183395-7	MOTOR HOUSING		1				
C10	643708-9	BRUSH HOLDER 5-11		2				
D10		INC. 27,29						
029	819063-3	MAKITA LABEL		1				
030	853151-6	NAME PLATE DA4000LR		1				
032	650510-3	SWITCH TG813TLA-1		1				

Please order the parts with part number.

Print Date 15/8/2021

## Model No.DA4000LR ANGLE DRILL 13MM

รายการ	รหัสอะไหล่	รายละเอียด	การ แลกเปลี่ยน	จำนวน	New/Old	ขาย	ซื้อ	ข้อความ
033	687053-2	STRAIN RELIEF		1				
034	265995-6	TAPPING SCREW 4X18		2				
035	682568-4	CORD GUARD 10		1	*			
035-1	682573-1	CORD GUARD 10	<	1				
036	691015-4	POWER SUPPLY CORD 0.75-2-2.5		1				
037	417648-5	HANDLE COVER		1				
038	265995-6	TAPPING SCREW 4X18		5				
039	152932-8	JOINT COMPLETE		1				
040	266281-8	HEX.SOCKET BUTTON BOLT M8X35		2				
041	324154-2	SOCKET		1				
042	324170-4	GEAR SHAFT L		1				
043	254226-8	KEY 4		1				
044	285838-6	BEARING RETAINER 29-42		1				
045	211278-2	BALL BEARING 6203DDW		1				
046	253854-6	FLAT WASHER 30		1				
047	227411-6	ZEROL BEVEL GEAR 19		1				
048	152890-8	ANGLE HOUSING COMPLETE		1				
049	227412-4	ZEROL BEVEL GEAR 13		1				
050	211278-2	BALL BEARING 6203DDW		1				
051	285838-6	BEARING RETAINER 29-42		1				
052	254219-5	KEY 4		1				
053	324169-9	GEAR SHAFT H		1				
054	193318-7	DRILL CHUCK S-13		1				
C10	266280-0	HEX. SOCKET HEAD BOLT M6X25		1				
C20	267763-3	NORD-LOCK WASHER 6		2				
A01	122646-3	GRIP ASS'Y		1				
C10	265485-9	HEX.BOLT M8X85		1				
C20	317488-0	GRIP BASE		1				
A02	152892-4	GRIP COMPLETE		1				
A03	783216-9	HEX. WRENCH 5		1				
A04	824646-6	PLASTIC CARRYING CASE		1				
C10	416401-6	LATCH		2	*			
C11	163467-4	LATCH	X	2				
C20	819145-1	MAKITA LOGO LABEL		1				
A05	410102-8	KEY HOLDER		1				
A06	763432-9	CHUCK KEY S13		1				
E01	A-81664	CARBON BRUSH CB-303A		2	*			
E01-1	B-80151	CARBON BRUSH SET CB-303A	O	2	*			
E01-2	B-80379	CARBON BRUSH SET CB-303A	<	2	*			

Please order the parts with part number.

Print Date 15/8/2021